



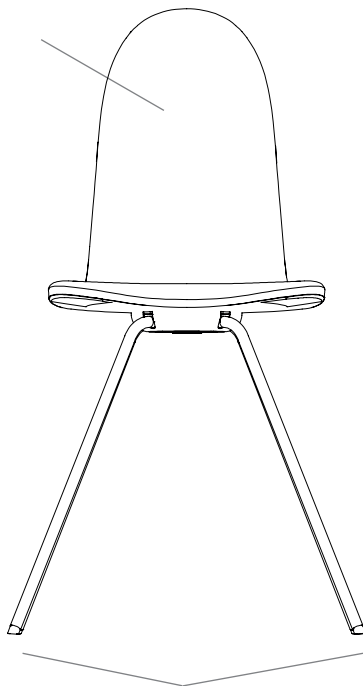
The Tongue chair was designed by Arne Jacobsen in 1955. He designed the chair for Munkegård School in Denmark - a building Arne Jacobsen also was the architect of. The Tongue is a highly sculptural chair and a classic Arne Jacobsen design. It has the immediately recognisable characteristics of the organic wave form in the seat; complemented with the beautifully splayed legs.

The Tongue has been restored by HOWE engineering expertise to match the high standards of today. The chair's aesthetics are exactly as Jacobsen specified, with additional strength provided through precision engineering thus matching Jacobsen's own vision for the chair.

TESTING AND WARRANTY

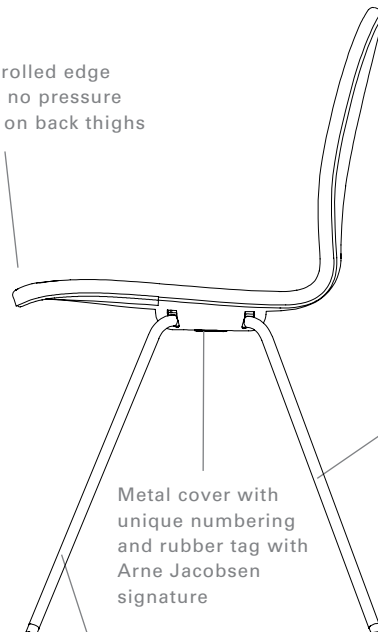
The chair has been tested to EN 15373:2007, level 2 and ANSI/BIFMA X5.1 for strength and durability. The Tongue carries the HOWE 5 year warranty.

The Tongue is FSC certified.
Full upholstered version
optional



Glides for floor protection

A soft rolled edge
means no pressure
points on back thighs



Chrome3 - the most
environmental
friendly chrome
solution or powder
coated frame

Metal cover with
unique numbering
and rubber tag with
Arne Jacobsen
signature

Steel tube legs with rod reinforcement.
Strength without compromise to design