

FLOS

F0011009 White

Tight Light

Designed by Piero Lissoni, 2011

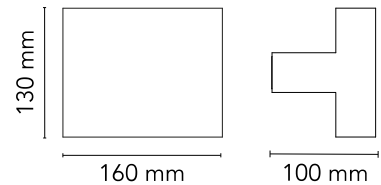


20W - 1989lm - 3000K

Direct/indirect light wall lamp. Body in painted extruded aluminium. Lateral friezes in pressofused aluminium turned up to 45° on digital control for perfect mating with the lamp body. Diffusers in injection printed PMMA with photo-engraved finish. Injection printed wall attachment in PA66. Multi-voltage power pack integrated in the body.

Are you a professional and your project needs consulting and support?

[BOOK AN APPOINTMENT](#)




Main specifications

EAN	8059607013045
Mounting	Wall
Environments	Indoor dry location
Light Source Type	LED
LED type	LED Module
Power (W)	20
System flux (lm)	1989

Physical

Colour	White
Length (mm)	100
Net weight (kg)	1
Package height (mm)	160
Package width (mm)	180
Package length (mm)	210
Package volume (m3)	0.01
IP internal	20

Download

[Mounting instructions](#)  PDF

[Spare Parts](#)  PDF

Photometric Files

[LDT / IES](#)  LDT

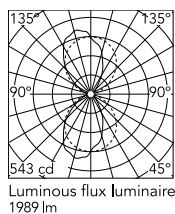
Technical Drawings

[2D](#)  ZIP

[3D](#)  ZIP



Schematic light drawing



Beam Angle:

h(m)	E(lx)	D(m)
1	516	1.42
2	129	2.83
3	57	4.25
4	32	5.67
5	21	7.08

Photometric

Light distribution Symmetric

CCT (K) 3000

Electrical

Insulation class I

Frequency (Hz) 50/60

Main voltage (Vac) 100-240

LED voltage Vf (Vdc) null

Driver Integrated

Dimmable No

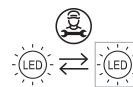
Dimming type Non Dimmable

Dimming interface Not Dimmable

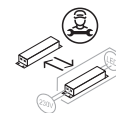
Batteries inside No

Ecodesign and Energy Labelling

This product contains a light source of energy efficiency class D

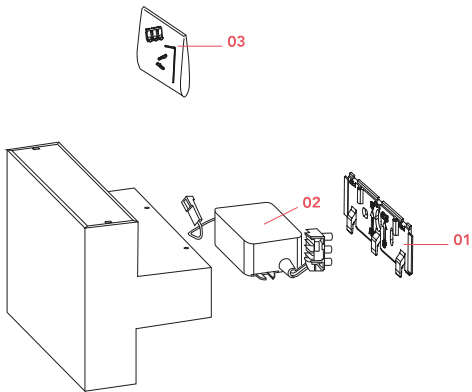


Replaceable (LED only) light source by a professional



Replaceable control gear by a professional

Spare Parts



- | | | |
|-----|--|-----------|
| 01. | Wall attachment | RF21151 |
| 02. | Driver assembly | RF0011100 |
| 03. | Kit with locking screws and terminal box | RF0011200 |

DOWNLOAD



RF21151

Wall attachment



RF0011100

Driver assembly



RF0011200

Kit with locking screws and
terminal box