

FLOS

F9705057 Chrome

Pochette Up/Down Led

Designed by Rodolfo Dordoni, 2003

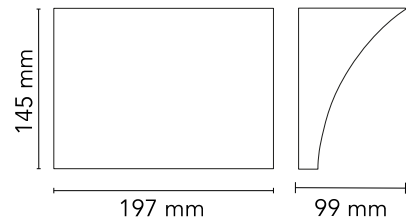


21.5W - 1744lm - 2700K - CRI> 90

Wall lamp providing direct/indirect light. Pressure die-cast Zamak alloy structure, matte gray, shiny white or chrome plated finish. Molded steel, galvanized white wall attachment containing the wall attachment system as well as the electrical devices.

Are you a professional and your project needs consulting and support?

[BOOK AN APPOINTMENT](#)




Main specifications

EAN	8059607024263
Mounting	Wall
Environments	Indoor dry location
Light Source Type	LED
LED type	LED Module
Power (W)	21.5
System flux (lm)	1744

Physical

Colour	Chrome
Length (mm)	197
Net weight (kg)	1.7
Package height (mm)	135
Package width (mm)	265
Package length (mm)	180
Package volume (m3)	0.01
IP internal	20

Download

[Mounting instructions](#)  PDF

[Spare Parts](#)  PDF

Photometric Files

[LDT / IES](#)  LDT

Technical Drawings

[2D](#)  ZIP

[3D](#)  ZIP



Schematic light drawing



Photometric

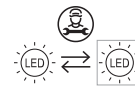
Light distribution	Asymmetric
CCT (K)	2700
CRI>	90

Electrical

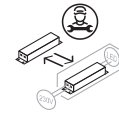
Insulation class	I
Frequency (Hz)	50/60
Main voltage (Vac)	220-240
Driver	Integrated
Dimmable	Yes
Dimming type	Dimmable 1-10V
Dimming interface	Remote Dimmable (Dimmer Not Included)
Batteries inside	No

Ecodesign and Energy Labelling

This product contains a light source of energy efficiency class E



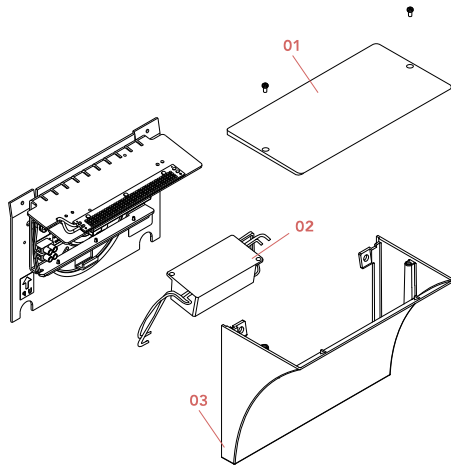
Replaceable (LED only) light source by a professional



Replaceable control gear by a professional

Spare Parts

- | | | |
|-----|-------------------------|---------|
| 01. | Up transparent diffuser | RF25606 |
| 02. | Led power supply | RF25062 |



DOWNLOAD



RF25606

Up transparent diffuser



RF25062

Led power supply