



# STORAGE UNIT



embracing creative dialogue

# STORAGE UNIT

CHAT BOARD® Storage Unit, in a timeless and sleek design by ARDE design studio, is a functional two-compartment storage unit for all of your CHAT BOARD® accessories. Available in 2 different versions, one to perfectly complement any of our boards, it offers the perfect solution for organising and keeping track of pens, erasers and extra magnets.



CHAT BOARD® Storage Unit is made of injection moulded ABS and powder coated steel, making it durable as well as functional. It is available in 2 different versions, and in a choice of 2 versatile colours: Signal White RAL 9003 and Jet Black RAL 9005.

Item no.	Product	Description	Dimensions	Weight
			W x H x D mm	kg
SUMAG9003	Storage Unit Magnetic White	storage unit w. magnetic fixture <i>white</i>	205 x 120 x 95	0.5
SUHAN9003	Storage Unit Hanger, White	storage unit w. board- and wall fixture <i>white</i>	205 x 125 x 100	0.5
SUMAG9005	Storage Unit Magnetic Black	storage unit w. magnetic fixture <i>black</i>	205 x 120 x 95	0.5
SUHAN9005	Storage Unit Hanger Black	storage unit w. board- and wall fixture <i>black</i>	205 x 125 x 100	0.5

**Design**

René Hougaard - ARDE design, 2016

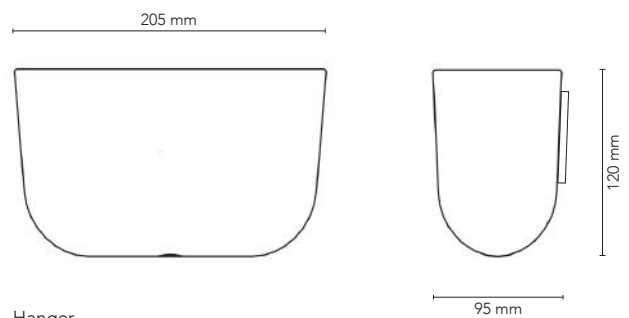
**Materials**

Injection moulded ABS  
Powder coated steel

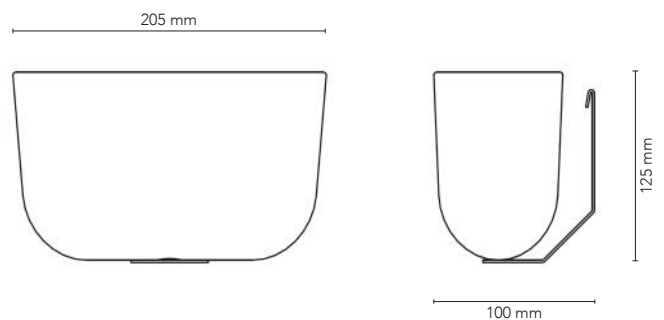
**Colour options**

2 standard colours

Magnetic

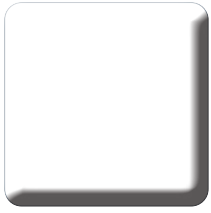


Hanger





ABS



RAL 9003 Signal White



RAL 9005 Jet Black

steel



RAL 9003 Signal White



RAL 9005 Jet Black



CHAT BOARD®

designed & manufactured  
by CHAT BOARD A/S  
Tempovej 10 C  
DK-2750 Ballerup

T. +45 4484 5144  
F. +45 4484 5688  
info@chat-board.dk  
www.chat-board.dk

VAT no. DK 15806230

