



MOVE ACOUSTIC



embracing creative dialogue

MOVE ACOUSTIC

CHAT BOARD® Move Acoustic seamlessly combines the signature magnetic and writable glass board with a class A acoustic panel in two perfectly proportioned movable room dividers, created to shape multi-functional and creative spaces within spaces. Perfectly finished in Remix or Remix Screen wool fabric by Kvadrat and featuring an ingenious, “stackable” cross-base, which allows you to store several units in even the smallest space, Move Acoustic offers style as well as substance without compromising on either.

The writable glass surface is the ideal facilitator of free-flowing brainstorming sessions and provides the obvious focal point of shared ideas and information in the corporate conference room, open office space and classroom alike, while its high-performing acoustic panel ensures the balance in visual and auditory exchange.

Ensuring cost-effective and safe transportation, the wide version is delivered in two pieces and easily assembled on site.



The movable aluminium base is powder coated in RAL 9005 Jet Black and fitted with brake casters for added stability. The glass is 4 mm tempered safety glass, in accordance with the highest quality standards, finished with smooth C-edges and 4 mm radius corners. The wide Move Acoustic comes prepared to be mounted with the TV bracket* of your choice (not included), and both sizes are available in 25 standard glass colours and can also be made to order in bespoke standard RAL or NCS glass colours. The standard assortment includes 6 Remix and Remix Screen fabric colours, but requests for alternative colours and varieties can be accommodated on demand.

*NB TV screen should not exceed dim. 50"/ W 1110 x H 600 mm

Please contact our head office with any special requests: info@chat-board.dk

Item no.	Product	Description	Dimensions		Weight kg
			Glass / panel W x H mm	Total size W x H x D mm	
CBMOVES	Move Acoustic Slim	movable room divider with magnetic glass board and acoustic panel	600 x 1500	600 x 1900 x 480	34.0
CBMOVEA	Move Acoustic	movable room divider with magnetic glass board and acoustic panel	1200 x 1500	1200 x 1900 x 480	65.0

OPTIONAL add Matt glass to Move Acoustic

Design

René Hougaard - ARDE design, 2016
Claus Brandt Jakobsen, 2020

Materials

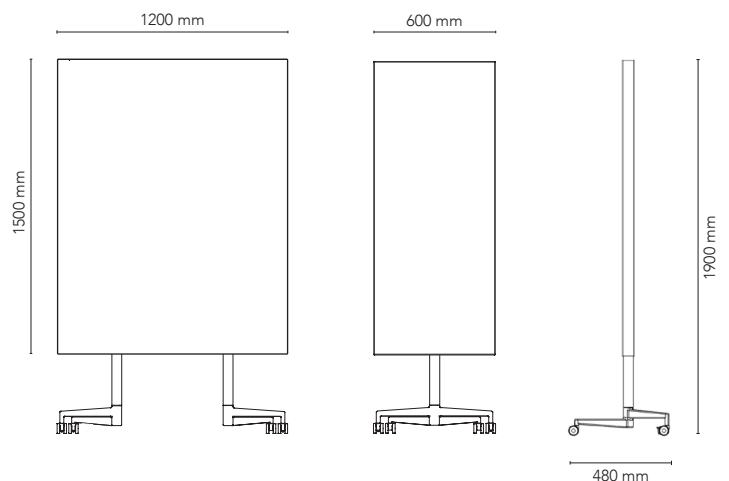
Glass:
4 mm tempered safety glass according to highest quality standards, finished with unpolished, C-shaped edges and 4 mm radius corners
The glass surface is magnetic and writable

Acoustic panel:
Ecophon Akusto™ Wall A

Base:
Powder coated aluminium cross-base, mounted with 4 brake casters

Colour options

Glass: 25 standard colours
Fabric: 6 standard colours
(Remix or Remix Screen by Kvadrat)





glass



Pure White 14 MTPW



Blush 32 MTBL



Petal 42 MTPE



Pine 43 MTPI



Ink 40 MTIN



Dove 35 MTDO



Nude 25 MTNU



Plum 33 MTPLU



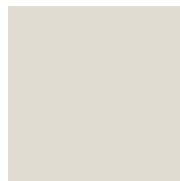
Army Green 37 MTAG



Denim 38 MTDE



Grey 5 MTG



Stone 41 MTSTO



Ruby 34 MTRU



Khaki 27 MTK



Lavender 21 MTL



Dark Grey 17 MTDG



Sand 31 MTSA



Red 11 MTR



Lily 36 MTLI



Sky Blue 39 MTSB



Black 18 MTS



Mocca 12 MTM



Orange 10 MTO



Yellow 24 MTY



Light Blue 15 MTLB

fabric by Kvadrat



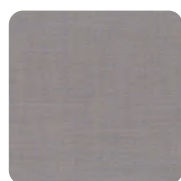
Remix 0143



Remix Screen 0128



Remix Screen 0158



Remix Screen 0608



Remix Screen 0818



Remix Screen 0908



CHAT BOARD®

designed & manufactured
by CHAT BOARD A/S
Tempovej 10 C
DK-2750 Ballerup

T. +45 4484 5144
F. +45 4484 5688
info@chat-board.dk
www.chat-board.dk

VAT no. DK 15806230

