

# FRITZ HANSEN



VICO DUO™  
PRODUCT FACT SHEET



# VICO DUO™

The Vico Duo™ is a stylish veneer stacking chair with simple, tight lines. Vico Magistretti designed the original in 1997, sitting among his sketches in Fritz Hansen's design department. The chair is well suited for agile work spaces and hospitality.

## PRODUCT TYPE

Stacking chair w/wo arms

## ENVIRONMENT

Indoor

## DESIGNER/ YEAR OF DESIGN

Vico Magistretti, 1997/2020

## DESIGNER

Vico Magistretti is considered one of the founders of Italian design and is widely known for his experimental yet striking harmonic works, ranging from rigorous conceptual furniture to detailed architectural facades.

## MODELS

- VM110: Chair w. tube legs (stackable)
- VM111: Armchair w. tube legs (stackable)
- VM112: Chair w. welded linking device, 4 legs, chrome or black powder coated base
- VM113: Armchair w. welded linking device, 4 legs, chrome or black powder coated base
- VM114: Chair, sledge base, chrome
- VM115: Chair w. welded linking device, sledge base, chrome
- VM116: Counter stool, chrome or black powder coated base
- VM118: Bar stool, chrome or black powder coated base

## MATERIAL

**Shell:** The shell is made of pressure moulded veneer and is available in the finishes clear lacquered and coloured ash.

Seat cushion available pre-mounted or loose.

**Bases:** The base is made of steel tubes and leg ferrules of black synthetic material. It is available in chromed steel or black powder coated steel.

**Armpads:** The armpads are made of 30% polyamide (PAG GK).

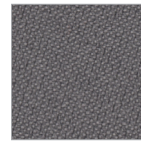
### Materials in %:

- VM110: Wood: 49%, Steel 48%, Plastic 3%
- VM111: Wood: 42%, Steel 54%, Plastic 4%
- VM112: Wood: 46%, Steel 50%, Plastic 4%
- VM113: Wood: 40%, Steel 55%, Plastic 5%
- VM114: Wood: 38%, Steel 59%, Plastic 3%
- VM115: Wood: 37%, Steel 60%, Plastic 3%
- VM116: Wood: 35%, Steel 62%, Plastic 3%
- VM118: Wood: 34%, Steel 64%, Plastic 3%

*Items with a weight <1% of the total product weight are not included in the figures.*

## FEATURES

- Felt glides
- Trolley for 10 pcs. VM110, VM112, VM114, VM115, or 8 pcs. VM111, VM114. All non-upholstered.
- Linking device for VM114
- VM170 seat cushion:



DARK GREY  
TEXTILE  
JUST 60121



BLACK  
TEXTILE  
JUST 60999

## COLOURS

The shell is available in 3 variants:



WALNUT  
NATURAL  
VENEER  
80



OAK  
NATURAL  
VENEER  
70



BLACK  
COLOURED  
ASH  
195

The base is available in 2 variants:



CHROMED



BLACK  
190

## UPHOLSTERY

The chair is available in the following selection of fabric and leather types:

Fabric: Belfast, Christianshavn™, Canvas, Capture, Comfort, Diablo, Divina, Divina Melange, Divina MD, Fame, Fiord, Hallingdal, Remix, Re-wool, Steelcut, Steelcut Trio, Sunniva, Tonus.

Leather: Embrace, Essential, Grace, Natural, Rustik, Soft.

## PRODUCTION PROCESS

**Wood:** The shell is made of laminated, pressure moulded veneer - 9 layers in total. The 2 outer layers are made in veneer of different wood types, the 7 inner layers are made of beech. The veneer layers are glued together with water-based urea-formaldehyde glue. Un-upholstered chairs are coated with polyurethane lacquer, which prevents the emission of formaldehyde.

**Steel:** The bases are made of chromed steel or powder coated steel.

**Seat cushion:** Made with PUR foam and upholstered with Just fabric made of 98% post-consumer recycled polyester. The fabric Just is certified with Standard 100 by OEKO-TEX® and the EU Ecolabel.

#### MADE-TO-ORDER

Non-standard configurations (special colours, upholstery etc.) are available upon request at a minimum order quantity.

#### TEST

- EN 16139 (EN 1728) Test Level 1 General Contract use for strength and durability
- EN 1022 for stability

#### CERTIFICATION

PEFC™ PEFC/09-31-068: All wood components are made from PEFC-certified wood.

**GreenGuard:** Vico Duo is GreenGuard Gold certified.

For more information about environment and manufacturing processes, please visit [fritzhanzen.com](http://fritzhanzen.com) and download our environmental information sheet.

#### WEIGHT

VM110: 4,5 kg  
VM111: 5,2 kg  
VM112: 4,8 kg  
VM113: 5,5 kg  
VM114: 6 kg  
VM115: 6 kg  
VM116: 6,2 kg  
VM118: 6,6 kg

#### COUNTRY OF ORIGIN

Poland

#### PREASSEMBLED

Yes

#### PACKAGING

The chair is covered with a plastic bag and shipped in a cardboard box with genuine foam inside. All packaging material can be recycled.

#### CLEANING AND CARE

Find recommendations for cleaning and care at: [fritzhanzen.com/maintenance](http://fritzhanzen.com/maintenance)

#### REPAIR, DISPOSAL AND REUSE

In the case of disposal the chair can be disassembled into different parts for recycling, special handling and repair. Check local regulations for recycling options and whether there is potential for reuse.

#### WARRANTY

Fritz Hansen provides a five-year warranty on standard products against defects in materials and workmanship.

An extended warranty of up to twenty years is provided on

selected products provided they have been registered online on [FRITZHANSEN.COM/MY-FH](http://FRITZHANSEN.COM/MY-FH).

#### Standard (5 years):

Powder coated base, Fabric, Leather: Soft & Essential

#### Extended (10 years):

Chrome base, Shell, armrests, Leather: Grace, Embrace, Rustik & Natural

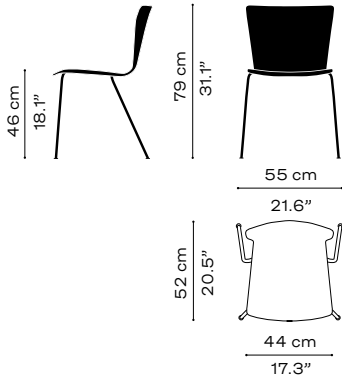
No warranty is provided on products with customer's choice of leather, fabrics or materials ordered as special materials.

#### SPARE PARTS

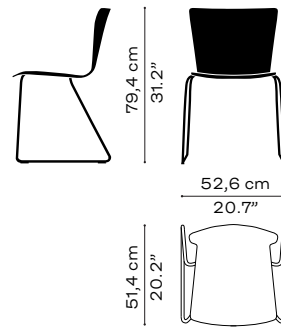
Inquiries regarding spare parts must be sent to [salesupport@fritzhanzen.com](mailto:salesupport@fritzhanzen.com).

**DIMENSIONS**

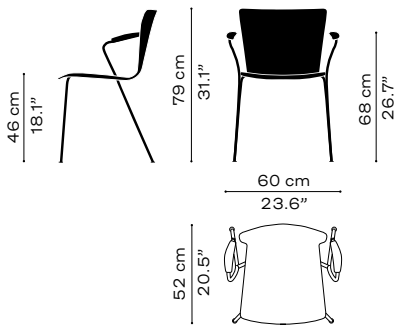
**VM110:**



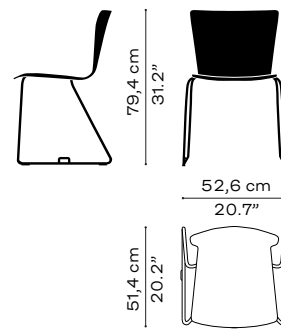
**VM114:**



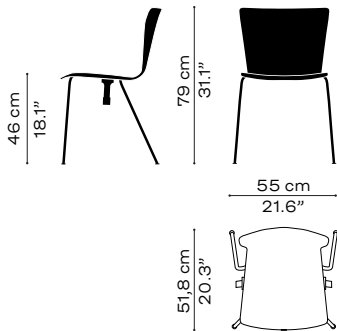
**VM111:**



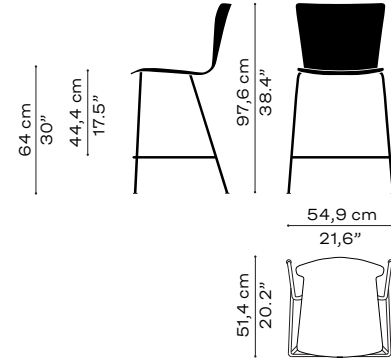
**VM115:**



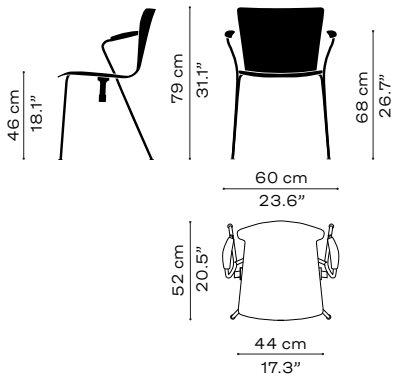
**VM112:**



**VM116:**



**VM113:**



**VM118:**

