

FRITZ HANSEN



NAP™
PRODUCT FACT SHEET

NAP™

The iconic NAP™ chair features an elegant, curvaceous form. The contours of the Nylon shell adapt naturally to the shape of the human body and the textured waves make hours of sitting a superb experience – no matter the position. It features a high gloss back and a rippled matt front to emphasise the chair's dynamic design. An acronym for Normal, Active, Passive, the NAP chair accommodates multiple seating positions.

PRODUCT TYPE

Chair / Armchair

ENVIRONMENT

Indoor

DESIGNER / YEAR OF DESIGN

Kasper Salto, 2010

ABOUT THE DESIGNER

Kasper Salto (b. 1967) is the designer behind Fritz Hansen's Pluralis™, Little Friend™ and NAP™ chair series. His design of furniture has sold to prominent places, such as The National Art Center, Tokyo, Louisiana art museum, Denmark. In 2004 he founded the design company Salto & Sigsgaard with Architect Thomas Sigsgaard, working mainly in the field of product design, lighting – and interior.

MODELS

KS50: Chair w. tube legs (stackable)
 KS52: Chair w. wooden legs
 KS58: Counter stool w. tube legs
 KS59: Bar stool w. tube legs
 KS60: Armchair w. tube legs (stackable)
 KS62: Armchair w. wooden legs
 KS58: Counter stool w. armrest w. tube legs
 KS59: Bar stool w. armrests w. tube legs

MATERIAL

Shell: The shell has a high gloss back and the front has a matt finish with ripples. The chair is also available with seat upholstery which can be mounted upon delivery or purchased separately.

Base: The base is available in 14 mm steel tubes (powder coated in colours matching the shell or chromed) and in natural oak veneer legs. The sled base as well as the bar and counter stool are only available with legs in chromed steel. To minimise undesired noise and the risk of floor marks, the front and back leg ferrules have different sizes on the 4-legged versions in steel. The leg ferrules are made of black TPE.

FEATURES

- Transport trolley for 8 pcs. for KS50 & KS60
- Seat cushion (KS70)

COLOURS

The shell and powder coated legs are available in 7 colours:



MILK WHITE
106

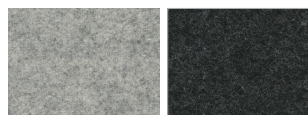
SILVER GREY
166

PEPPER GREY
176

MIDNIGHT BLUE
876

UPHOLSTERY

The seat cushion is available in the following selection of textiles:



LIGHT GREY (120)
DIVINA MELANGE

DARK GREY (180)
DIVINA MELANGE

MADE-TO-ORDER

Non-standard configurations (special colours, upholstery etc.) are available upon request at a minimum order quantity.

CERTIFICATION

- FSC™ FSC-C120451: The wood used for NAP™ (KS52/KS62) is FSC-certified (FSC MIX). The FSC-certification ensures the wood is from responsible and environmentally managed forests that preserve the natural surroundings and support the local community.
- NAP™ (KS50 & K60) is GreenGuard Gold certified

For more information about environment and manufacturing processes, please download our environmental information sheet at: fritzhansen.com

TEST

- Strength and durability: EN 16139:2013 (EN 1728) Test Level 1 General Contract use (KS50, KS60, KS62)
- ANSI/BIFMA X5.4-2020 (KS52, KS62)
- Stability: EN 1022:2005 (KS50, KS60, KS62)

PRE-ASSEMBLED

Yes

PACKAGING

All packaging materials can be recycled.

CLEANING AND CARE

Find recommendations for cleaning and care at:
fritzhanzen.com/maintenance

REPAIR, DISPOSAL AND REUSE

In the case of disposal the chair can be disassembled into different parts for recycling, special handling and repair.

WARRANTY

Fritz Hansen provides a five-year warranty on standard products against defects in materials and workmanship. An extended warranty of up to twenty years is provided on selected products provided they have been registered online on fritzhanzen.com/my-fh.

Standard: 5 years (Lacquer on base, Wooden base, Seat cushion)

Extended: 10 years (Base, Shell)

On any material, fabric or leather, which is not listed in our price list on a specific product, the standard warranty is 2 years.

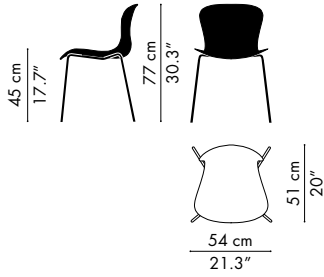
Additional warranty conditions can be found at:
fritzhanzen.com/warranty

SPARE PARTS

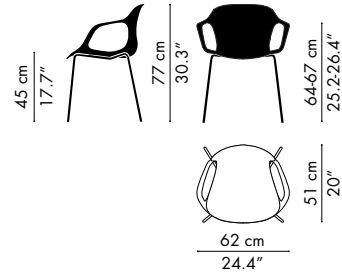
A range of spare parts can be found on:
fritzhanzen.com/en/Categories/Products/Spareparts

DIMENSIONS

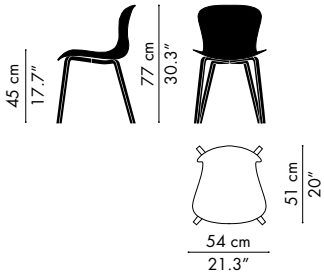
KS50



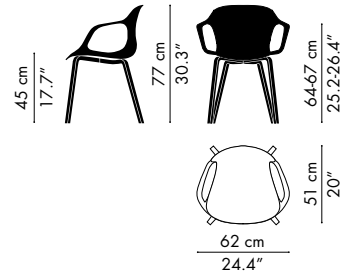
KS60



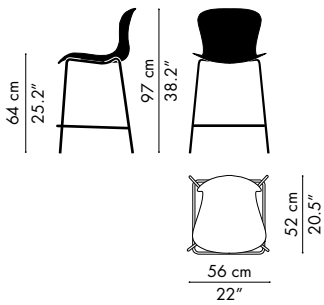
KS52



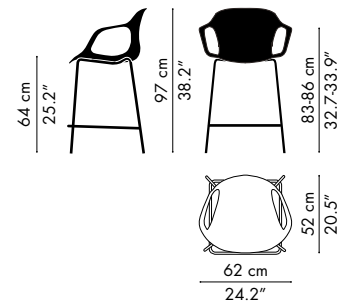
KS62



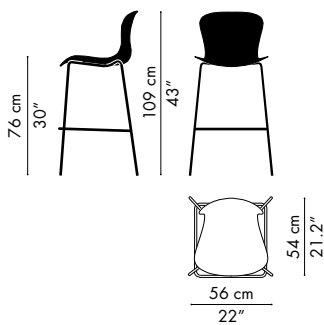
KS58



KS68



KS59



KS69

