

MO300 | WALL LAMP

MADS ODGÅRD | 2020



Shade/base: powder coated steel

Colors

Black (RAL9005)

•

White (RAL9010)

•

SOCKET: E12, E14 or E17 socket depending on country.

BULB: Not included.

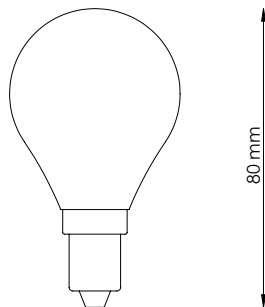
WIRE: 2.5m. black fabric wire with in-line switch.

MOUNTING: Black screws and wall plugs for brickwall are included.

	Light source socket	Max. watt	Voltage/frequency	Weight kg.	Electric shock protection	Ingress protection
EU/UK	E14	15W	Max. 220-240V/50-60Hz	1.2 kg.	Class II	IP20
US	E12		120V/60Hz			
JAPAN	E17		100V/50 Hz			

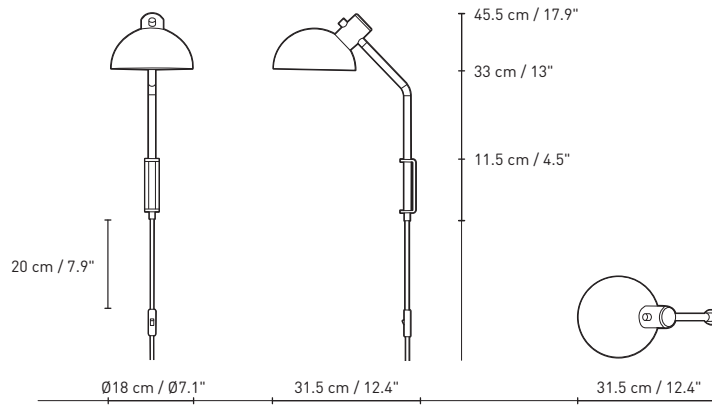
Recommended light source used for measurements:

- Phillips LED
- P45 4.3W E14 220-240V FR
- Warm white
- 4.3W = 40W
- 470 lumen
- 2700K



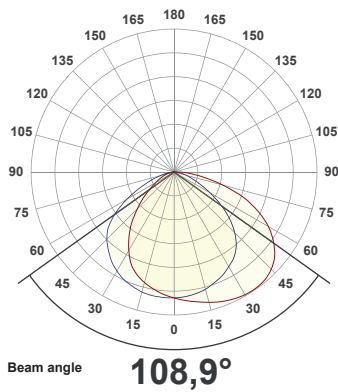
MO300 | WALL LAMP

MADS ODGÅRD | 2020

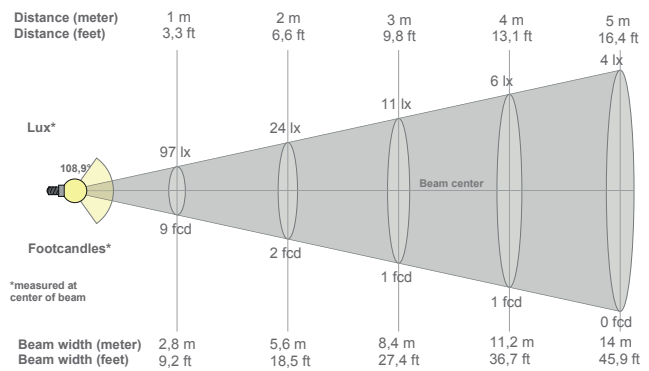


Packaging dimensions	Height mm.	Width mm.	Length mm.	Cbm	Net kg.	Tara kg.	Gross kg.	Cartons
Wall lamp	587	400	252	0.06	1.2	1.4	2.6	1/1

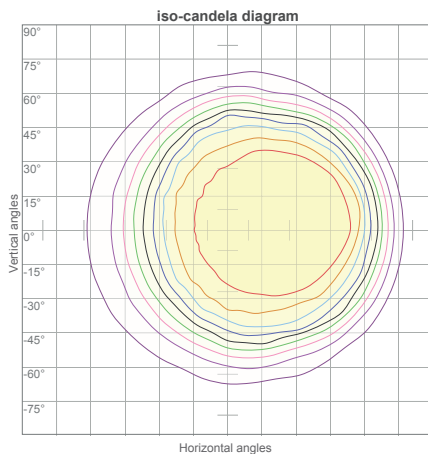
Polar



Footcandles

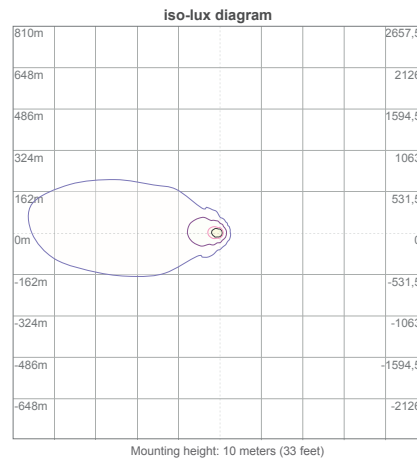


Isolux



10%	10 cd
20%	19 cd
30%	29 cd
40%	39 cd
50%	49 cd
60%	58 cd
70%	68 cd
80%	78 cd
90%	87 cd

Conditions:
Number of c-planes: 40
Candela at center: 97 cd



3%	29,1m lx
5%	48,5m lx
10%	97,0m lx
30%	0,291 lx
50%	0,485 lx

Conditions:
Number of c-planes: 40
Lux at center: 0,970 lx

Lux distribution on a surface when lamp is mounted at 10 meters from the surface.

