

# CHAIRMAN CHAIR

HENRIK TENGLER



**ONECOLLECTION**

# ONECOLLECTION

## CHAIRMAN.

The Chairman was designed by Henrik Tengler in 1990 for Onecollection. The wooden backrest seamlessly conjoins with a stainless tube, which functions as an armrest and extends down to the floor.

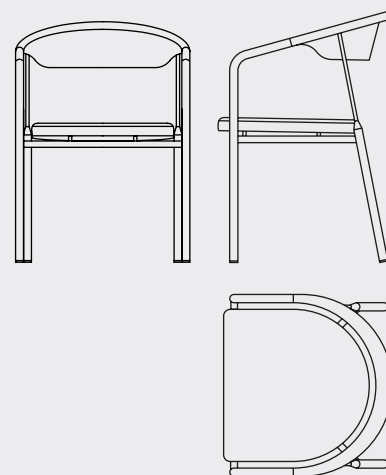
Due to its adaptability, it has become a modern classic by setting the standards of today in terms of comfort for sleek quality design. To date, the Chairman has sold more than 60,000 units, making it the best-selling piece in the history of Onecollection.

In 2015, Onecollection celebrated its 25th anniversary. To mark this special event, a new version of the best-selling Chairman was launched. The Chairman Anniversary Edition comes in a matt black painted steel frame with details in a raw brass finish.



## PRODUCT INFORMATION

<b>MODEL</b>	HT 6101
<b>YEAR</b>	1990
<b>MATERIALS</b>	Frame: Brushed stainless steel w/back piece in oak, ash, walnut or teak Upholstery: Fabric or leather
	HT 6110 (anniversary model) Frame: Mat black and brass w/back piece in oak, ash, walnut or teak Upholstery: Fabric or leather



<b>DIMENSIONS</b>	W: 55 cm D: 50 cm H: 76 cm Sh: 45 cm Weight: 6 kg Cbm: 0.33 m <sup>3</sup> /2 pcs.
-------------------	---------------------------------------------------------------------------------------------------