

BT1091 | CONFETTI PENDANTS

CLAUS BONDERUP & TORSTEN THORUP | 1970



Shade: powder-coated steel or polished brass

Colors

| | |
|-----------------|---|
| Black (RAL9005) | • |
| White (RAL9010) | • |
| Green (RAL6012) | • |
| Polished Brass | • |

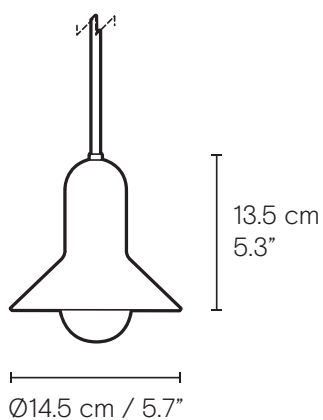
SOCKET: E26/E27 socket depending on country.

WIRE: 3m reinforced fabric wire (Black wire for Black, Green and Brass lamps, White wire for White lamps).

SUSPENSION: A standard ceiling mount is included (Black for Black wire, White for White wire).

BULB: Sold separately

| | Light source socket | Max. watt | Voltage/frequency | Weight kg. | Electric shock protection | Ingress protection |
|-------|---------------------|-----------|---------------------------|------------|---------------------------|--------------------|
| EU/UK | E27 | 15W | Max. 220-240V/ 50-60Hz | 0.5 | Class II | IP20 |
| US | E26 | 15W | 120V/60Hz | 0.5 | Class II | IP20 |
| JAPAN | E26 | 15W | 100V/50Hz | 0.5 | Class II | IP20 |



| | Height mm. | Width mm. | Length mm. | Cbm | Net kg. | Tara kg. | Gross kg. | Cartons |
|--------------------------------|------------|-----------|------------|--------|---------|----------|-----------|---------|
| BT1091 | 175 | 335 | 260 | 0.02 | 0.50 | 1.00 | 1.50 | 1/1 |
| Carl Hansen & Søn x tala bulb* | 145 | 70 | 70 | 0.0007 | 0.0032 | 0.0029 | 0.0061 | 1/1 |

*Only available for EU, US and UK

BT1091 | CONFETTI PENDANTS

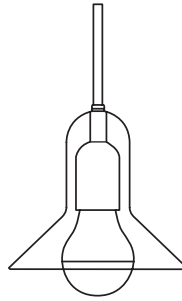
CLAUS BONDERUP & TORSTEN THORUP | 1970

Recommended light source used for light measurements:

Carl Hansen & Søn x tala

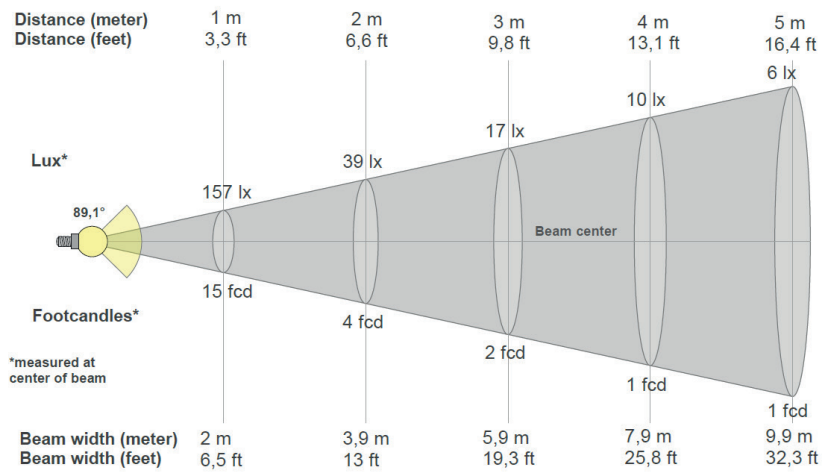
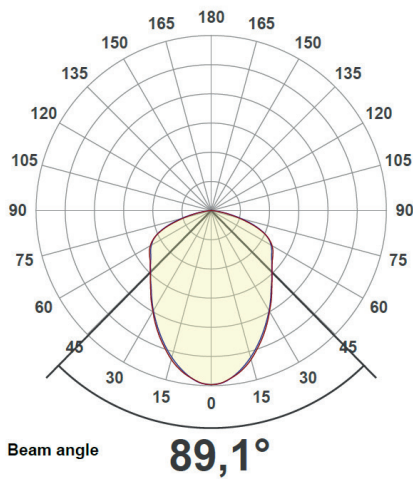
- Globe mirrored
- 7W E27 220-240V
- Warm white
- 7 W = 50 W
- 420 lumen
- 2700 K

Carl Hansen & Søn x tal



Polar

Footcandles



Isolux

