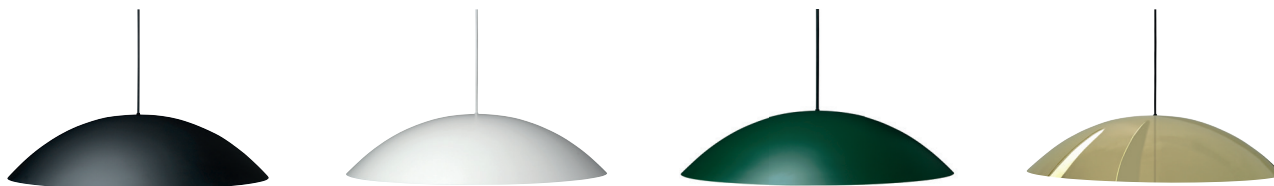


# BT1041 | CALOT PENDANT

CLAUS BONDERUP & TORSTEN THORUP | 1970



**Shade:** powder-coated steel or polished brass

## Colors

Black (RAL9005)	•
White (RAL9010)	•
Green (RAL6012)	•
Polished Brass	•

**SOCKET:** E26/E27 socket depending on country.

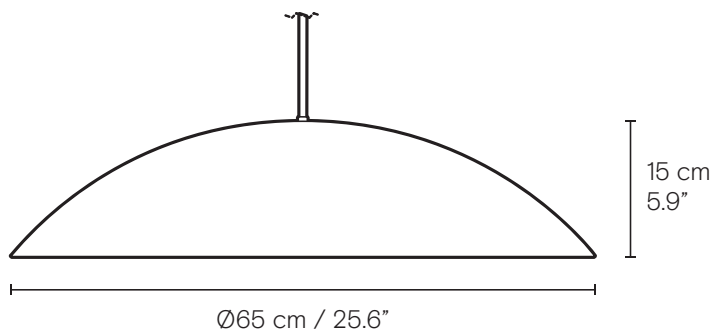
**WIRE:** 3m reinforced fabric wire (Black wire for Black, Green and Brass lamps, White wire for White lamps).

**SUSPENSION:** A standard ceiling mount is included (Black for Black wire, White for White wire).

**BULB:** Sold separately

**DIFFUSER:** Sold separately

	Light source socket	Max. watt	Voltage/frequency	Weight kg.	Electric shock protection	Ingress protection
EU/UK	E27	15W	Max. 220-240V/ 50-60Hz	1	Class II	IP20
US	E26	15W	120V/60Hz	1	Class II	IP20
JAPAN	E26	15W	100V/50Hz	1	Class II	IP20



	Height mm.	Width mm.	Length mm.	Cbm	Net kg.	Tara kg.	Gross kg.	Cartons
BT1041	705	705	230	0.13	1.00	5.24	6.24	1/1
BT101 Diffuser	145	130	55	0.001	0.08	0.19	0.27	1/1
Carl Hansen & Søn x tala bulb*	145	70	70	0.0007	0.0032	0.0029	0.0061	1/1

\*Only available for EU, US and UK

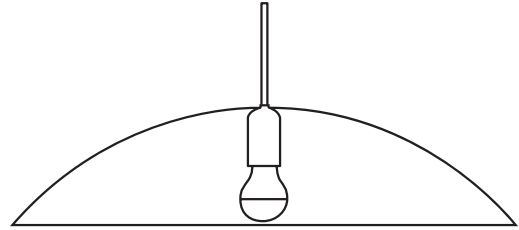
# BT1041 | CALOT PENDANT

CLAUS BONDERUP & TORSTEN THORUP | 1970

Recommended light source used for light measurements:

**Carl Hansen & Søn x tala**

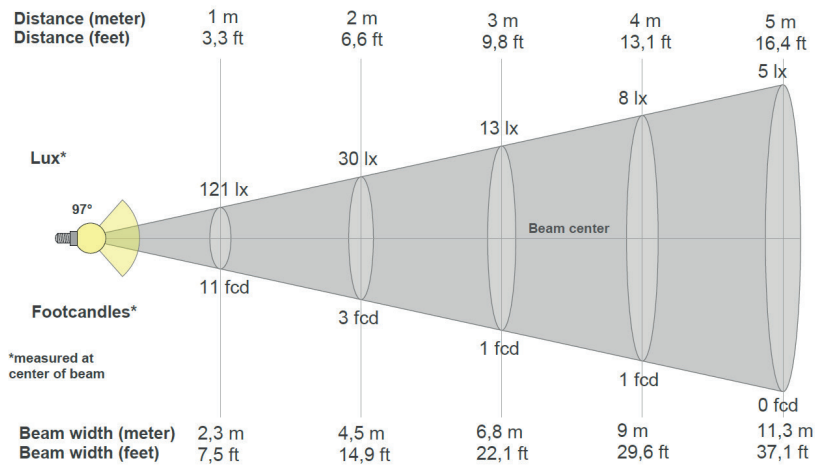
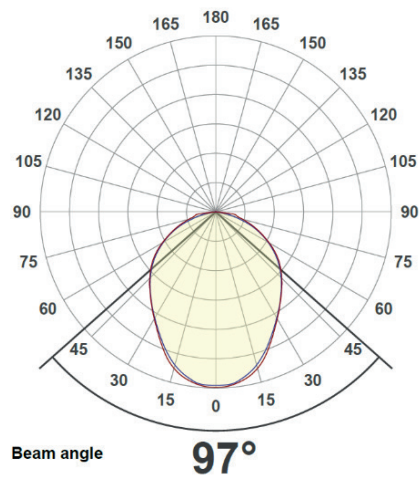
- Globe mirrored
- 7W E27 220-240V
- Warm white
- 7 W = 50 W
- 420 lumen
- 2700 K



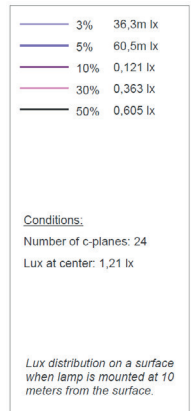
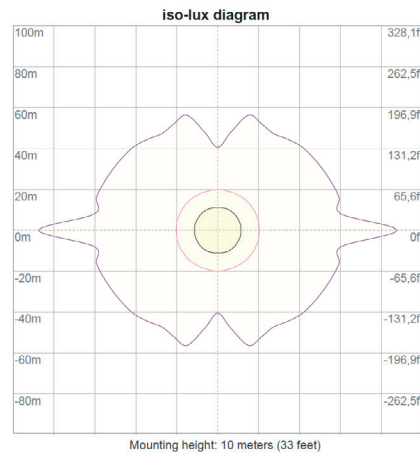
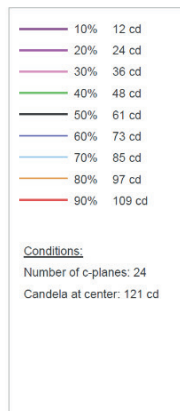
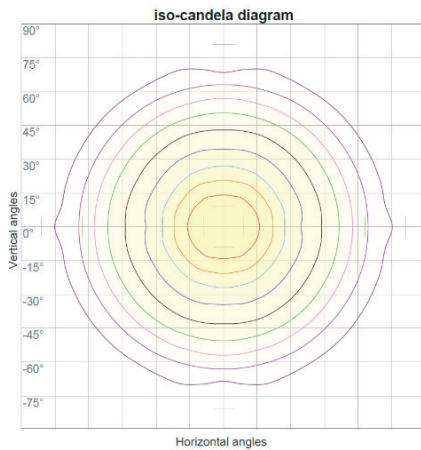
Carl Hansen & Søn x tal

Polar

Footcandles



Isolux

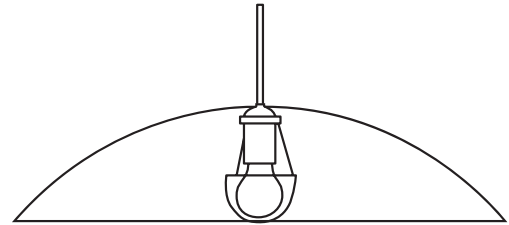


# BT1041 | CALOT PENDANT

CLAUS BONDERUP & TORSTEN THORUP | 1970

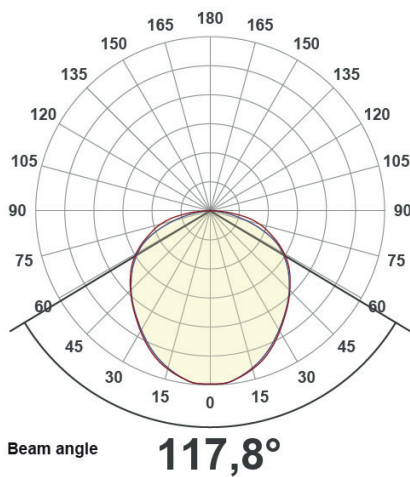
## Phillips LED and BT101 Diffuser

- 7W E27 220-240V AC 50/60 Hz
- Warm white
- 7W = 60W
- 806 lumen
- 2700K

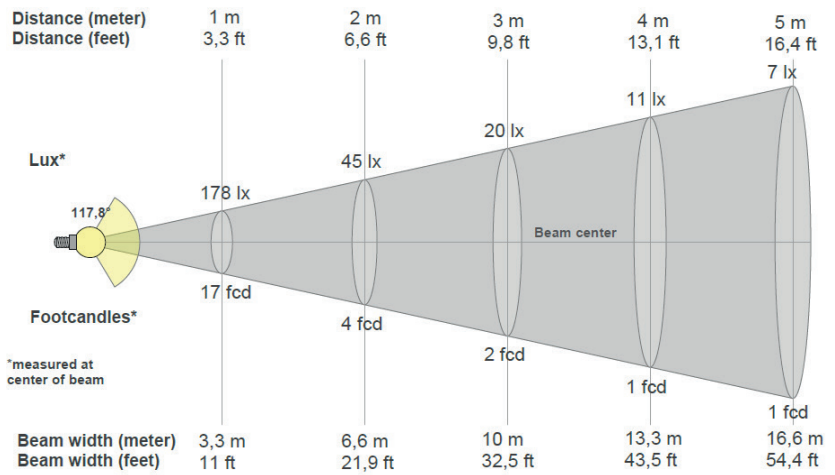


7 W Phillips LED combined with BT101 Diffuser

Polar



Footcandles



Isolux

