

BT1001 | PENDANT LAMP NO 1

CLAUS BONDERUP & TORSTEN THORUP | 1970



Shade: powder-coated steel or polished brass

Colors

Black (RAL9005)	•
White (RAL9010)	•
Green (RAL6012)	•
Polished Brass	•

SOCKET: E26/E27 socket depending on country.

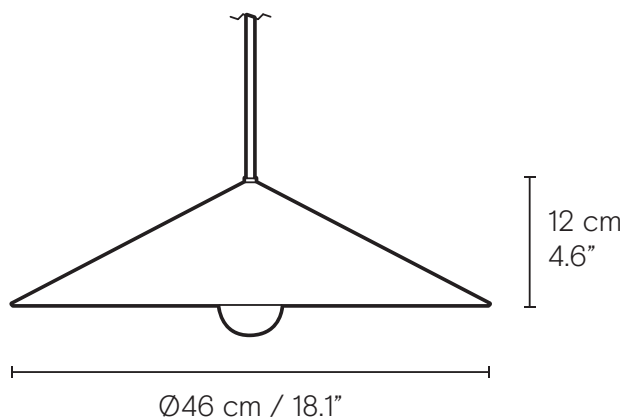
WIRE: 3m reinforced fabric wire (Black wire for Black, Green and Brass lamps, White wire for White lamps).

SUSPENSION: A standard ceiling mount is included (Black for Black wire, White for White wire).

BULB: Sold separately

DIFFUSER: Sold separately

	Light source socket	Max. watt	Voltage/frequency	Weight kg.	Electric shock protection	Ingress protection
EU/UK	E27	15W	Max. 220-240V/ 50-60Hz	0.5	Class II	IP20
US	E26	15W	120V/60Hz	0.5	Class II	IP20
JAPAN	E26	15W	100V/50Hz	0.5	Class II	IP20



	Height mm.	Width mm.	Length mm.	Cbm	Net kg.	Tara kg.	Gross kg.	Cartons
BT1001	550	510	210	0.06	0.50	2.50	3.00	1/1
BT101 Diffuser	145	130	55	0.001	0.08	0.19	0.27	1/1
Carl Hansen & Søn x tala bulb*	145	70	70	0.0007	0.0032	0.0029	0.0061	1/1

*Only available for EU, US and UK

BT1001 | PENDANT LAMP NO 1

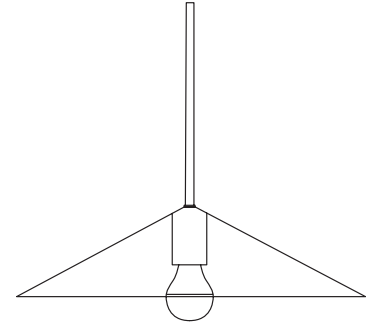
CLAUS BONDERUP & TORSTEN THORUP | 1970

Recommended light source used for light measurements:

Carl Hansen & Søn x tala

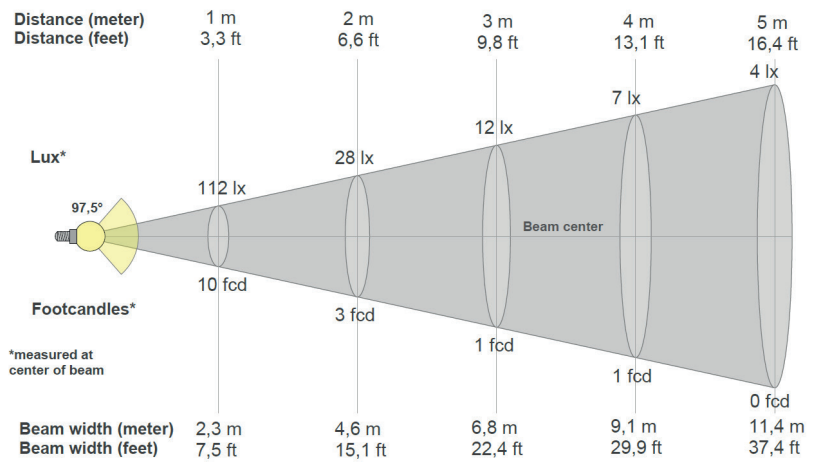
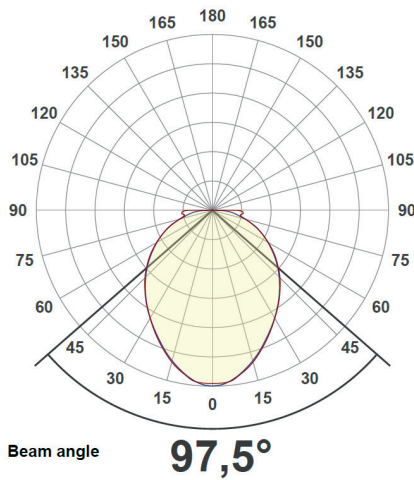
- Globe mirrored
- 7W E27 220-240V
- Warm white
- 7 W = 50 W
- 420 lumen
- 2700 K

Carl Hansen & Søn x tala

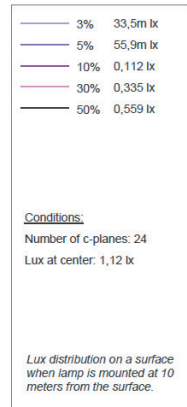
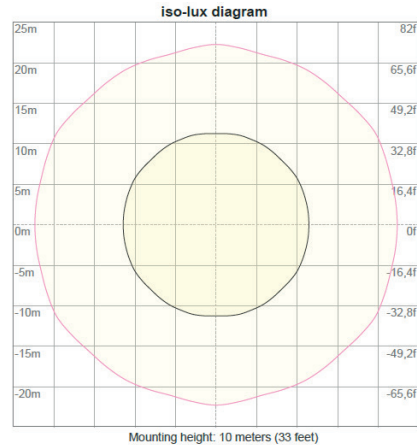
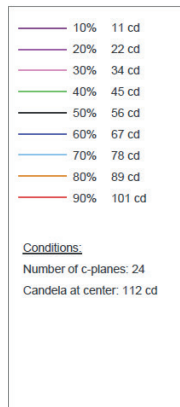
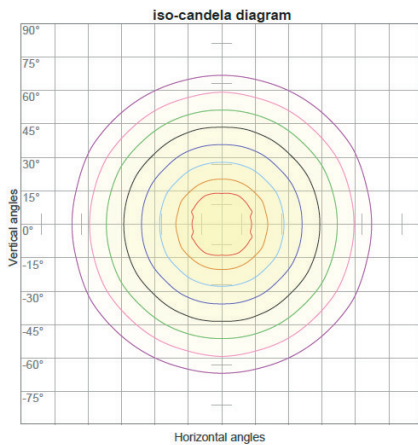


Polar

Footcandles



Isolux



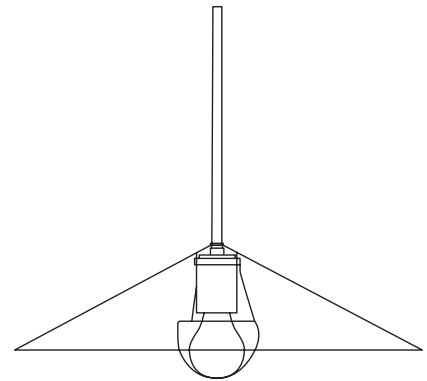
BT1001 | PENDANT LAMP NO 1

CLAUS BONDERUP & TORSTEN THORUP | 1970

Phillips LED and BT101 Diffuser

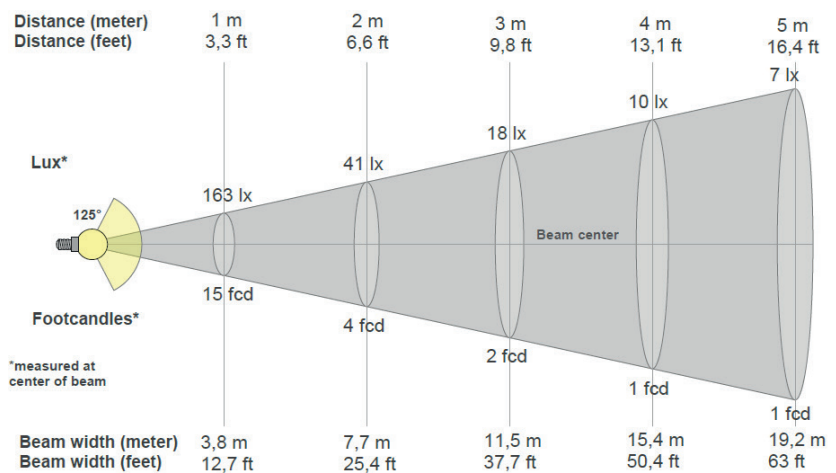
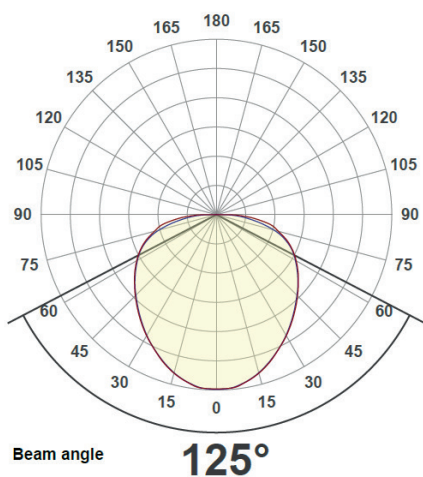
- 7W E27 220-240V AC 50/60 Hz
- Warm white
- 7W = 60W
- 806 lumen
- 2700K

7 W Phillips LED combined with BT101 Diffuser



Polar

Footcandles



Isolux

