

## Product information

### Frame

Solid wood; plywood and metal frame

### Seat & Backrest

Durable and fireproof HR-foam; fixed seat and back cushions

### Legs

Powder-coated metal legs; anti-slip soles

### Additional information

The cover fabric is not removable

### Table

Material: Valchromat mdf, Polaris HPL

### Plug-in option

Electric outlet: 220W + 2xUSB EU



## August Nook & August Desk

Design: Pent Talvet, Iseasi



Follow us

 @softrend\_global

 Softrend

 softrend.ee

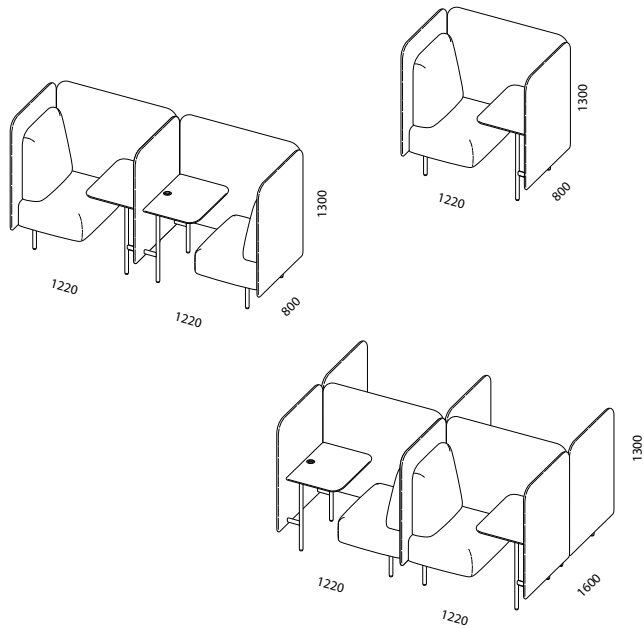


# August Nook

**August Nook** is a compact workplace for those mobile employees who land in the office to focus on episodic tasks but who doesn't require a permanent desk of their own. It offers more privacy than traditional work-bench-type solutions commonly used for such occasions.

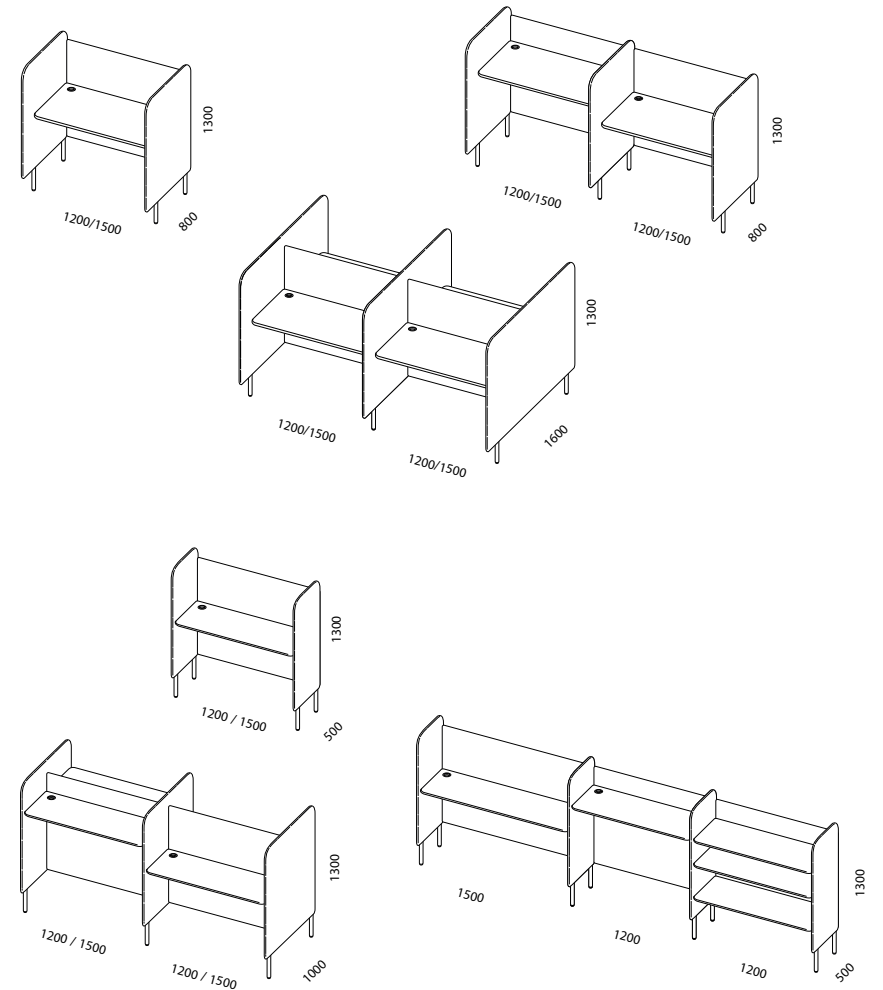
Nook is a 3-in-1 solution including a screen above eye-level to increase privacy and reduce acoustics, a desk measured for laptop work and a seat comfortable enough to stay for the whole day.

Designed for open-plan offices, the Nooks can be installed as separate islets or as rows.



# August Desk

The August seating range will be complemented with two modular workplace series: full depth desks and their shallow counterparts. The full size desks feature August signature aesthetics and acoustics' reducing properties. It can be installed in standing and sitting heights, equipped with power outlets. The shallow version is even more versatile: it can be used as a space separating shelving, screened seating or work bar for your laptop-equipped mobile workers. Or all that at once in one unit!



All dimensions provided in millimetres.